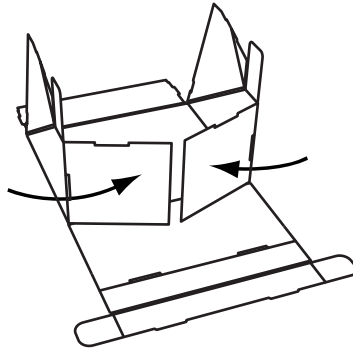
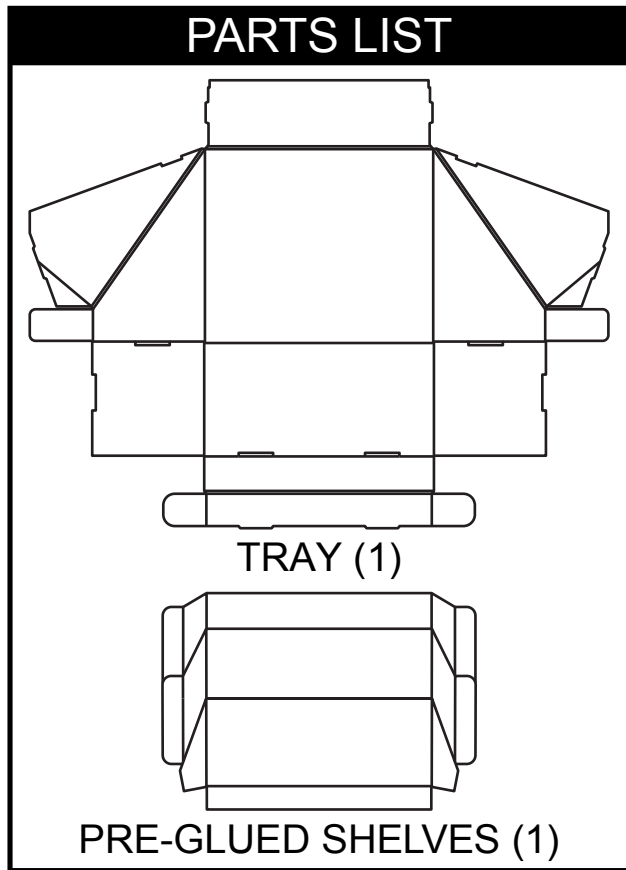
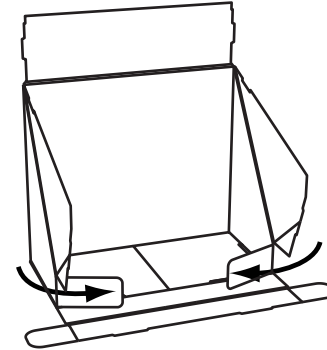


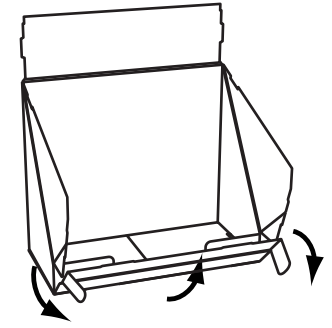
# BOOK SHELF ASSEMBLY INSTRUCTIONS



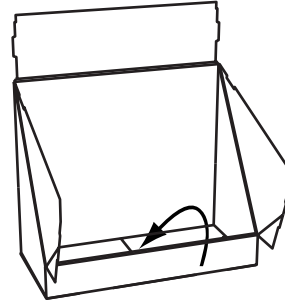
1. Fold the **SIDES** of the tray up and fold the **BOTTOM FLAPS** in until they meet in the middle.



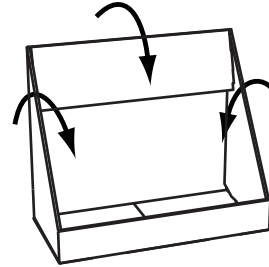
2. Fold the back of the tray up so the **BOTTOM FLAPS** rest on the bottom of the tray. Fold the **TABS** in.



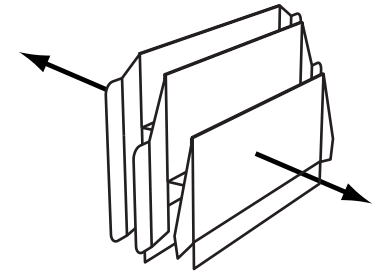
3. Fold the **FRONT LIP** up. Back fold the second set of **TABS** to get past the tray sides.



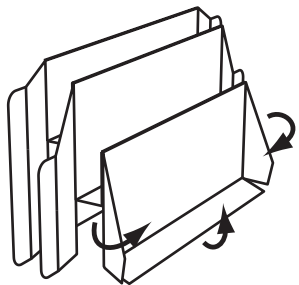
4. Roll the **FRONT LIP** over the **TABS** and lock into place. The second **TABS** rest against the tray sides.



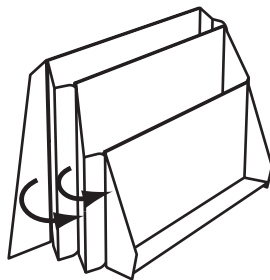
5. Fold the **SIDE FLAPS** over, then fold the **BACK FLAP** over and lock into place. **SET ASIDE.**



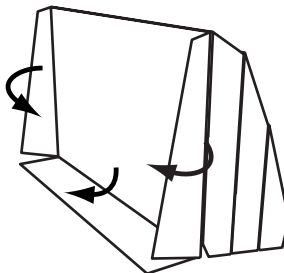
6. Extend the pre-glued shelves.



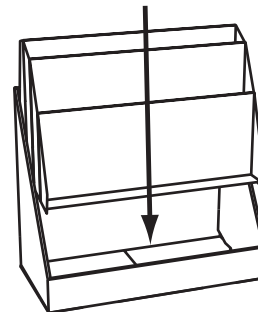
7. Back fold the 3 **FLAPS** to the front of the shelves.



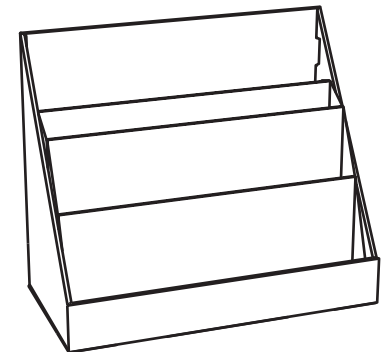
8. Back fold the 2 **MIDDLE FLAPS** and slide them between the two layers for each shelf. Repeat for the other side.



9. Fold down the remaining 3 **FLAPS** to the back of the shelves.



10. Set the **ASSEMBLED SHELVES** into the tray.



**ASSEMBLED  
BOOK SHELF**